

Adjustment Manual

For NEHER motors 22 44 20 / 22 / 26 and 22 43 22 cable controlled



Device function

- blind protection (torque limiting)
- commissioning the drive with the service cable or remote
- As-delivered condition (commissioning mode)**
- without adjusted end positions

Please note before mounting:

- connection only in voltage free state
- motor is only in working order in installed condition



Risk of injury due to electrocution !

The connections to the 230V mains must be made by authorised specialist personnel. Check the system regularly for wear or damage.

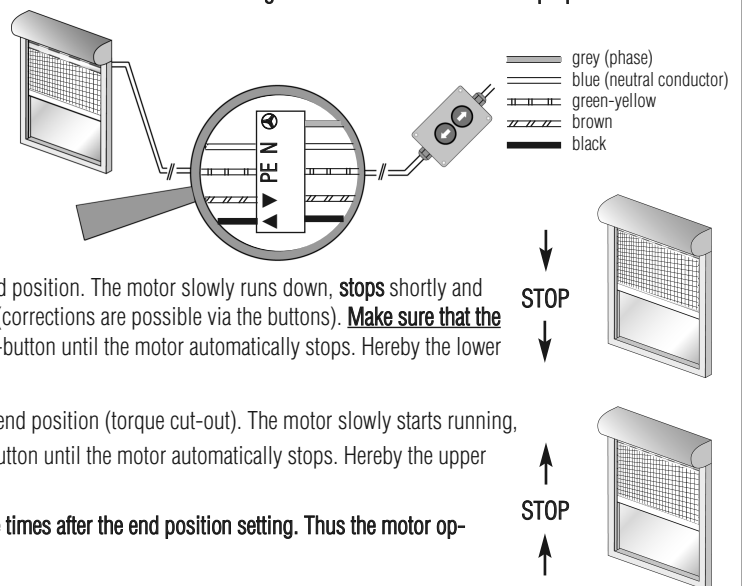
1

End position setting

- Connect drive with cable like illustrated.
 - Put the plug into the socket (230V).
 - Move the fabric rail into a central position (distance from the top at least 30 cm). **Simultaneously** press the **up** and **down** buttons and keep pressing them until the motor shortly runs up and down after 5 sec.
 - Position the fabric rail approx. 5 cm above the desired lower end position. The motor slowly runs down, **stops** shortly and gets faster then. Afterwards approach to the lower end position (corrections are possible via the buttons). **Make sure that the fabric hangs tautly in the lower end position!** Than press the **up**-button until the motor automatically stops. Hereby the lower end position is set.
 - Press the **up**-button again. Move the fabric rail up to the upper end position (torque cut-out). The motor slowly starts running, **stops** shortly and gets faster then. Afterwards press the **down**-button until the motor automatically stops. Hereby the upper end position is set.
- !** The motorized roller screen has to be moved up and down three times after the end position setting. Thus the motor optimizes its setting.
- !** Comment: to set the end positions again repeat the steps starting from point 3.

! Connection only in voltage free status !

Retain cable winding on the motor head for revision purposes.



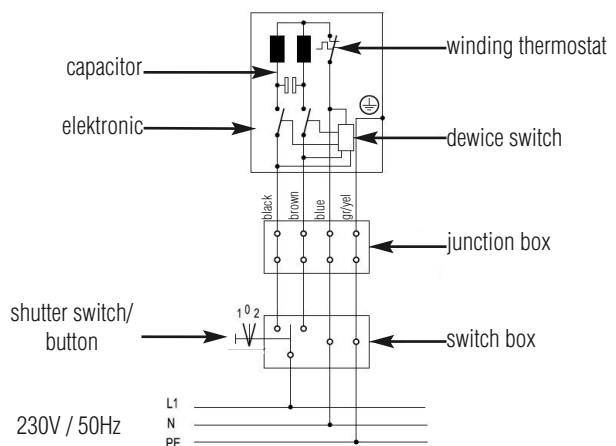
2

Connection example for the electrician



The motor controls in up-/down direction must be mutually locked. A changeover delay of min. 0,5 seconds has to be ensured.

Several motors can be connected parallelly. Pay attention to the maximum switching capacity of the switching point.



3

Troubleshooting

Fault	Possible cause	Remedy
- motor runs only in one direction	- faulty connection	- check connection
- motor does not react	- thermostat has triggered	- allow motor to cool down
- motor stops after a short run	- limit position are not set	- set limit positions
- motor does not set in limit position	- random travel - travel to limit position/stop too short	- delete limit positions and re-programme them - motor has to run up to the short stop
- motor runs in wrong direction	- red and black connecting wires are adjustment incorrectly	- re-connect red and black wires